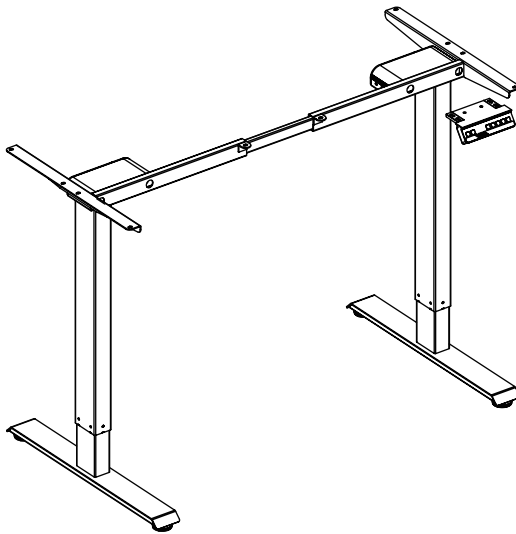




---

## Black Electric Dual Motor Desk Frame

### Instruction Manual



**SKU: DESK-V122EB**



Scan the QR code with your mobile device or follow the link for helpful videos and specifications related to this product.

<https://vivo-us.com/products/desk-v122eb>

---

GET IN TOUCH | Monday-Friday from 7:00am-7:00pm CST



help@vivo-us.com



www.vivo-us.com  
*Chat live with an agent!*



309-278-5303

# **WARNING!**

If you do not understand these directions, or if you have any doubts about the safety of the installation, please call a qualified technician. Check carefully to make sure there are no missing or defective parts. Improper installation may cause damage or serious injury. Do not use this product for any purpose that is not explicitly specified in this manual and do not exceed weight capacity. We cannot be liable for damage or injury caused by improper mounting, incorrect assembly, or inappropriate use.

## **ELECTRICAL SAFETY INSTRUCTIONS**

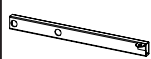
THIS PRODUCT IS POWERED BY ELECTRICITY. IN ORDER TO AVOID BURNS, FIRE AND ELECTRIC SHOCK, PLEASE READ THE FOLLOWING INSTRUCTIONS CAREFULLY.

- DO NOT CLEAN PRODUCT WHILE POWER IS CONNECTED.
- DO NOT DISASSEMBLE OR REPLACE COMPONENTS WHILE POWER IS CONNECTED.
- NEVER OPERATE THE SYSTEM WITH A DAMAGED CORD OR PLUG. PLEASE CONTACT YOUR SELLER TO REPLACE DAMAGED PARTS.
- NEVER OPERATE SYSTEM IN DAMP ENVIRONMENTS OR IF ANY ELECTRICAL COMPONENTS HAVE MADE CONTACT WITH LIQUIDS.
- ALTERATIONS OF THE GIVEN POWER UNIT ARE NOT ALLOWED.
- OUTDOOR USE IS PROHIBITED.

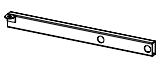
## **WARNING: CHOKING HAZARD**

SMALL PARTS - NOT FOR CHILDREN UNDER 3 YEARS. ADULT SUPERVISION IS REQUIRED.

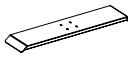
## **PACKAGE CONTENTS**



**A (x1)**  
Left Crossbar



**B (x1)**  
Right Crossbar



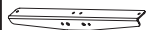
**C (x2)**  
Foot



**D (x2)**  
Leg



**E (x4)**  
Foot Pad



**F (x2)**  
Side Bracket



**G (x1)**  
Crossbar



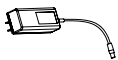
**H (x12)**  
Rubber Pad



**I (x1)**  
Control Panel



**J (x1)**  
Extension Cable



**K (x1)**  
AC Adapter



**L (x5)**  
Cable Clip



**S-A (x10)**  
M6x12 Flat  
Head Screw



**S-B (x8)**  
M6x35 Screw



**S-C (x6)**  
M6x12 Screw



**S-D (x16)**  
M5x16 Screw



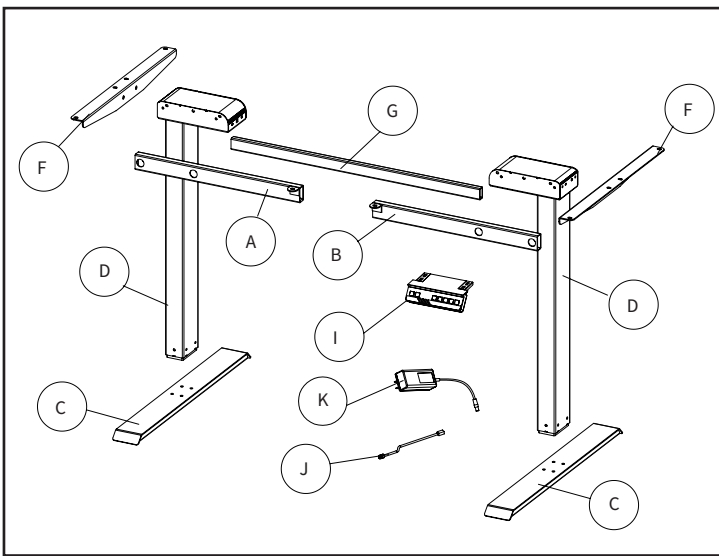
**T-A (x1)**  
4mm Allen  
Wrench

**DO NOT EXCEED WEIGHT CAPACITY.**  
Failure to do so may result in serious injury.



**NOTE:** x2 extras of each screw size have been included.

## TOOLS NEEDED



## **WARNING** **PINCH POINT**

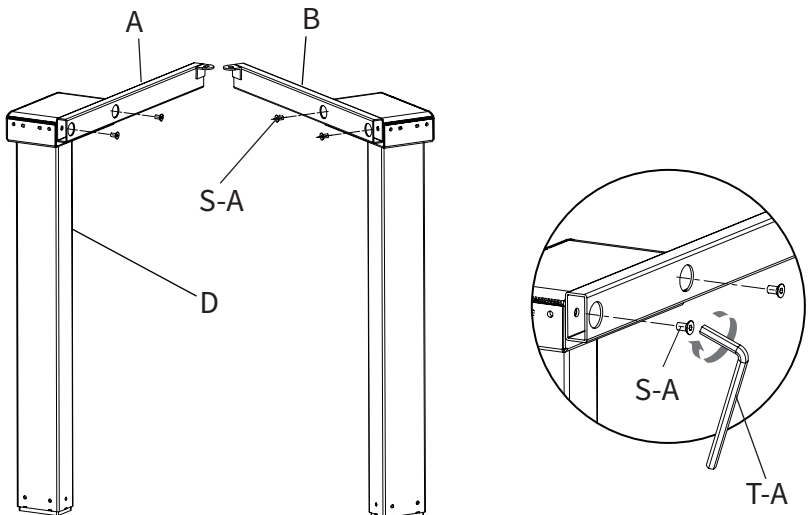
DO NOT place hands on or near support bars. Moving parts can crush and cut. Pinch points are created during lifting and lowering the worksurface. Failure to follow these instructions may result in serious personal injury.



## ASSEMBLY STEPS

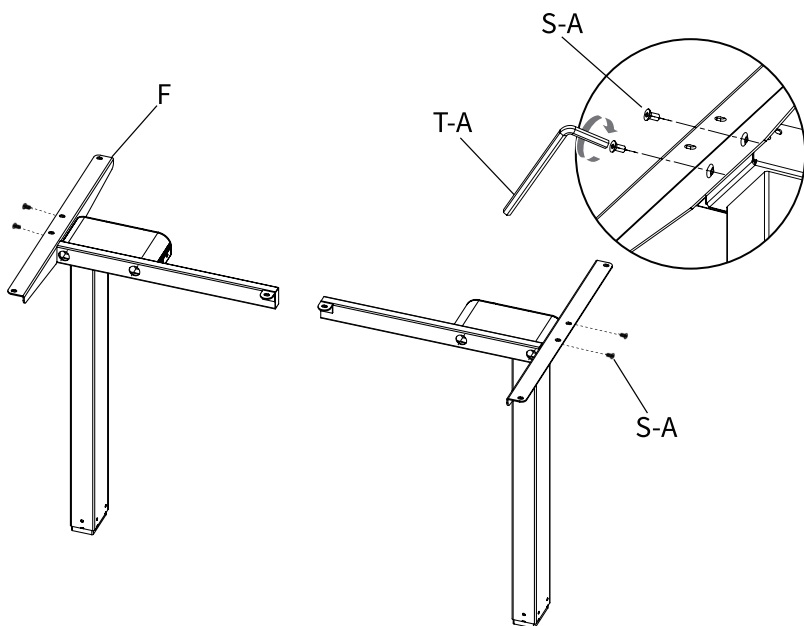
### STEP 1

Attach Left Crossbar (A) and Right Crossbar (B) to Legs (D) using M6x12 Flat Head Screws (S-A) and 4mm Allen Wrench (T-A).



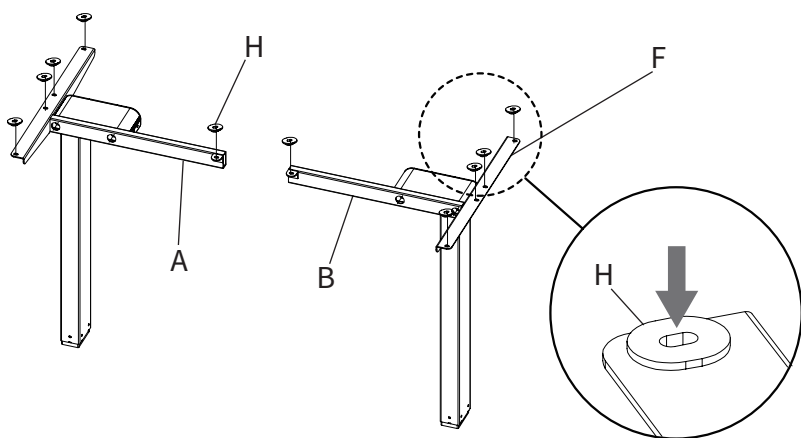
## STEP 2

Secure Side Brackets (**F**) using M6x12 Flat Head Screws (**S-A**) and 4mm Allen Wrench (**T-A**).



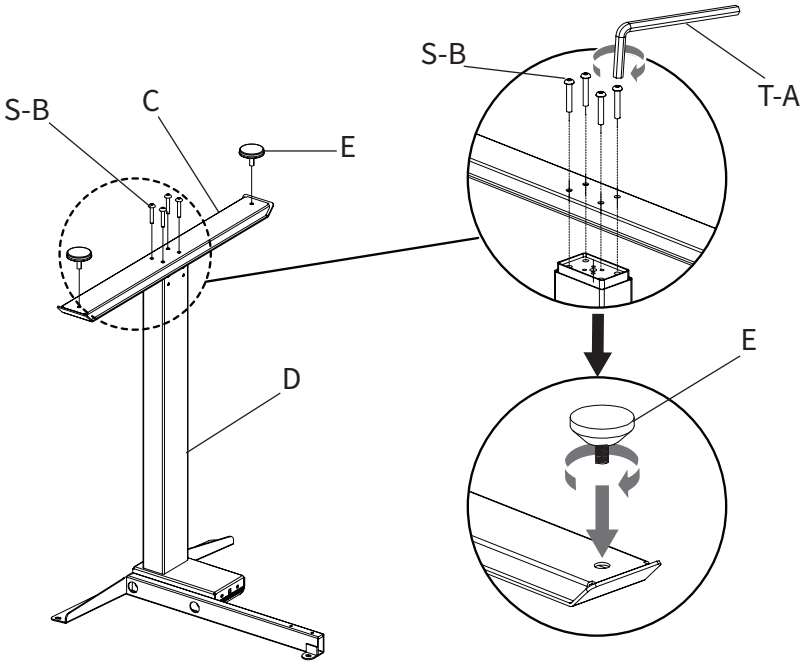
## STEP 3

Insert Rubber Pads (**H**) into desktop mounting holes in Left Crossbar (**A**), Right Crossbar (**B**), and Side Brackets (**F**).



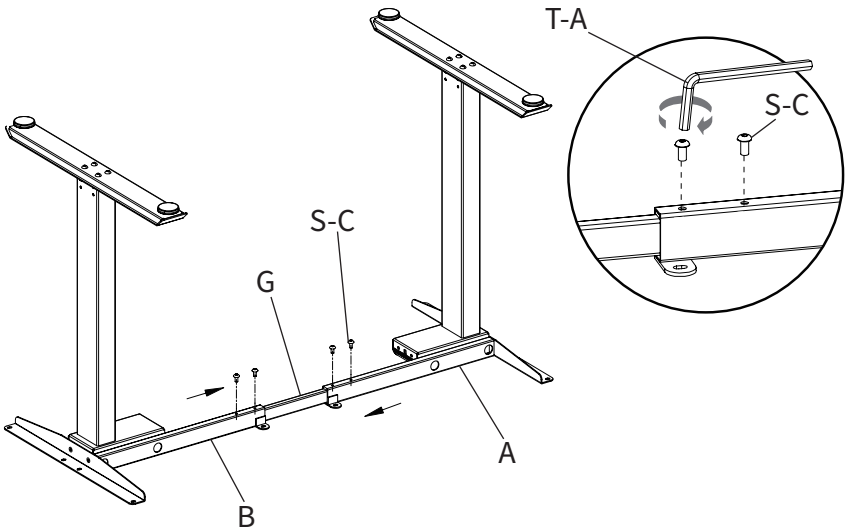
## STEP 4

Flip leg assemblies upside down and place the Feet (C) on Legs (D) as shown. Insert and tighten M6x35 Screws (S-B) using 4mm Allen Wrench (T-A). Screw Foot Pads (E) into Feet (C).



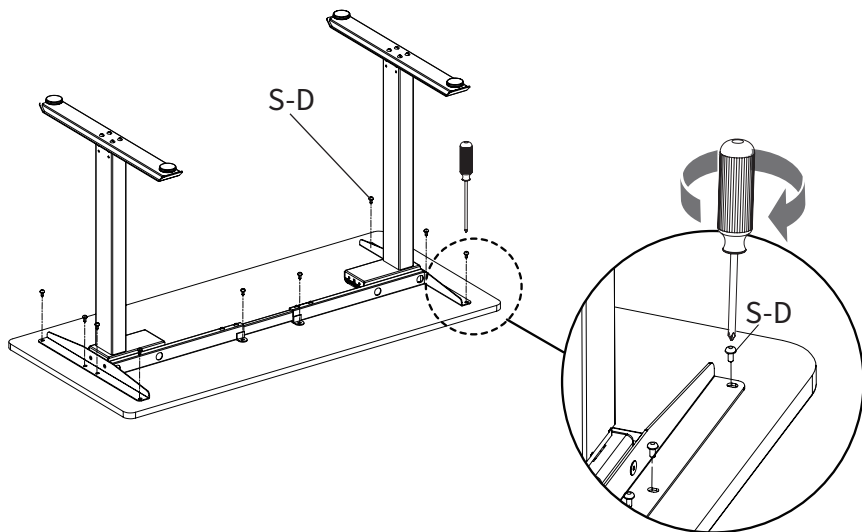
## STEP 5

Insert Crossbar (G) into Left Crossbar (A) and Right Crossbar (B). Adjust the desk frame assembly to the desired length and then insert M6x12 Screws (S-C) into Left Crossbar (A) and Right Crossbar (B). Tighten using 4mm Allen Wrench (T-A).



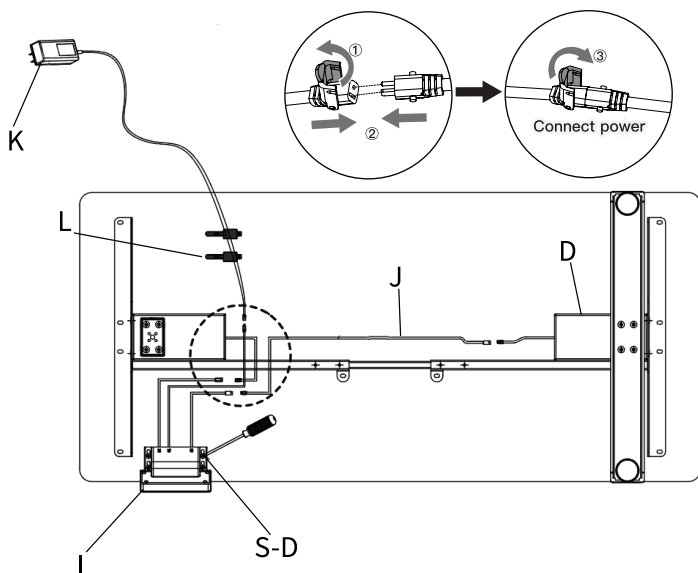
## STEP 6

Place the assembled frame upside down on the tabletop. Adjust width as needed, and drill 10mm deep pilot holes using a 1/8" (3mm) drill bit. Secure the frame to the tabletop using M5x16 Screws (**S-D**). Tighten with a Phillips screwdriver.



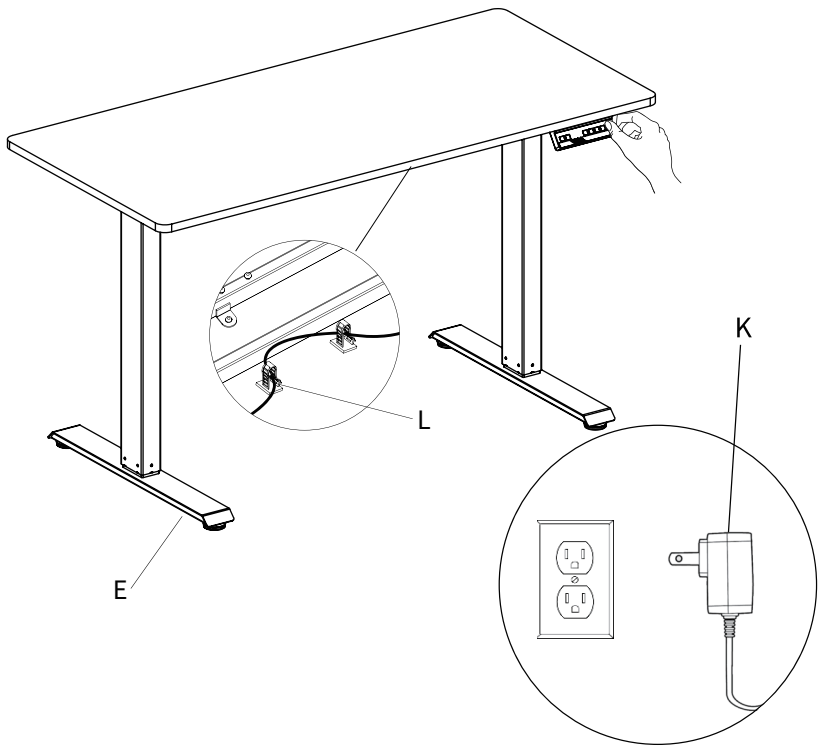
## STEP 7

Place Control Panel (**I**) at the desired location, making sure the cables from one Leg (**D**) and Extension Cable (**J**) are able to reach the Control Panel (**I**), and mark drilling locations. Drill 10mm deep pilot holes using a 1/8" (3mm) drill bit, then mount Control Panel (**I**) using x8 M5x16 Screws (**S-D**). Tighten all screws with a Phillips screwdriver. Connect Extension Cable (**J**) to the Leg (**D**) opposite from Control Panel (**I**), then connect all cables to Control Panel (**I**). Connect AC Adapter (**K**) to Control Panel (**I**).



## STEP 8

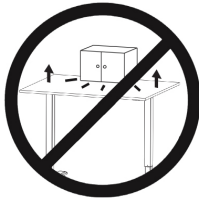
Turn the desk right side up and plug AC Adapter (**K**) into an AC power outlet. Manage cables using Cable Clips (**L**). Adjust Foot Pads (**E**) to sit level if necessary. Refer to Controller User Guide for operational instructions.



### CAUTION!



Do not exceed desk weight limit.



Keep base of vertical motion free of obstacles.



Keep weight on desk balanced for correct operation and longer life of components.



Leave enough slack in cables to allow for full range of vertical motion.

Failure to follow these instructions may result in property damage and/or personal injury.



Open **Monday - Friday 7:00am - 7:00pm** CST,  
our dedicated support team can offer immediate assistance with rapid response times. If any parts are received damaged or defective, please contact us. We are happy to replace parts to ensure you have a fully functioning product.



309-278-5303

**AVG. RESOLUTION TIME** (*within office hrs*): **5M 4S**



[www.vivo-us.com](http://www.vivo-us.com)  
*Chat live with an agent!*

**AVG. RESOLUTION TIME** (*within office hrs*): **< 15 M**



[help@vivo-us.com](mailto:help@vivo-us.com)

**AVG. RESPONSE TIME** (*within office hrs*): **1HR 8M**

- 23% within < 15m
- 38% within < 30m
- 61% within < 1hr
- 83% within < 2hr
- 92% within < 3hr